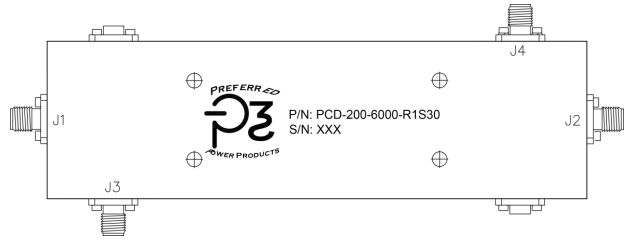


100 Watt 30 dB Dual Directional Coupler

Data Sheet



Model: PCD-200-6000-R1S30



Frequency:	200 - 6000 MHz
Coupling:	30 dB \pm 1.5 dB Max.*
Power:	100 Watts CW
Freq. Flatness:	\pm 1.50 dB Max.
Insertion Loss:	0.50 dB Max.
Directivity:	>15 dB
VSWR:	1.25:1 Max. All Ports
Connectors:	"SMA" Female All Ports

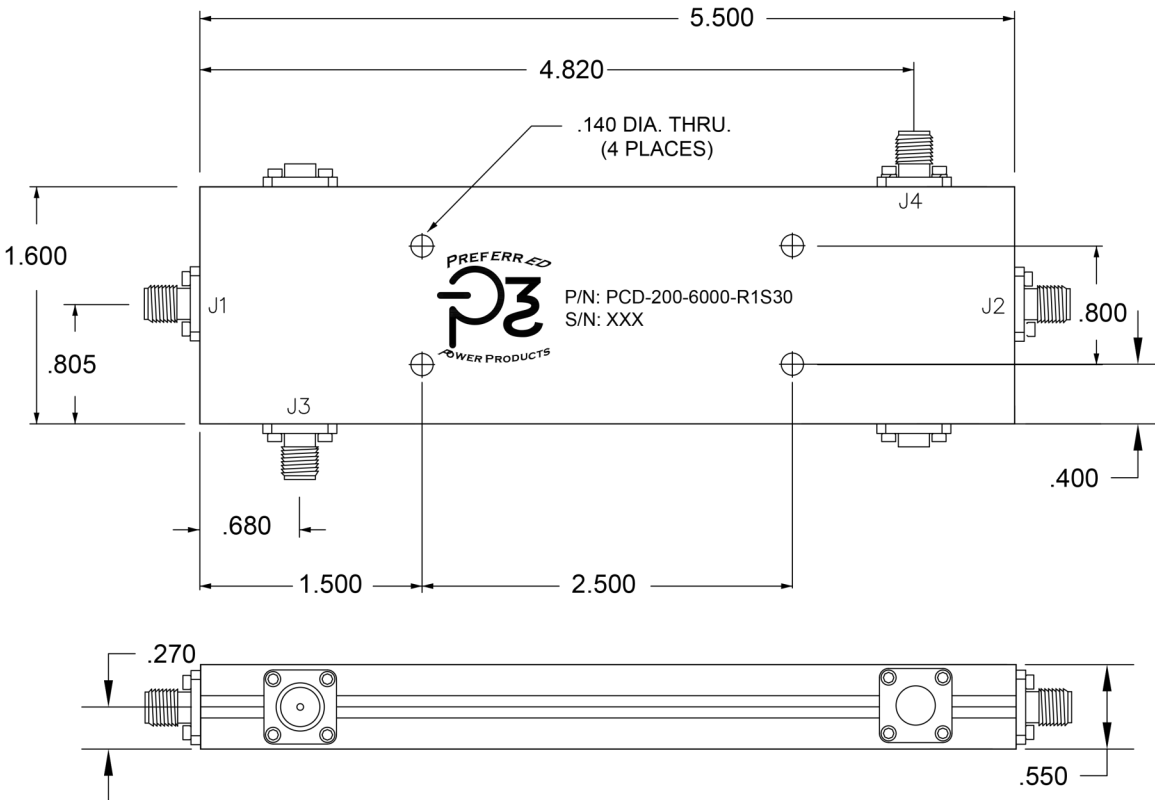
PCD Series couplers feature reliable Stripline construction using multi-section designs which provides power sampling up to 2000 watts CW in small coaxial packages that have proven power performance and reliability under extreme environmental conditions. To enhance performance, matched high power terminations are internally mounted on most models too obtain high directivity, higher coupled port power and excellent VSWR.

NOTES:

- Material: Aluminum Alloy, 6061-T651
- Finish: Chem-Film, Gold Irridite MIL-C5541E
- Operating Temperature: -55°C to +85°C
- Uni-Directional version available
- Other connectors configurations available

* Theoretical Coupling Loss Not Included

Specifications subject to change without notice



www.preferredpowerproducts.com

Tel: 1-772-291-2549 | sales@preferredpowerproducts.net

STUART, FL 34997